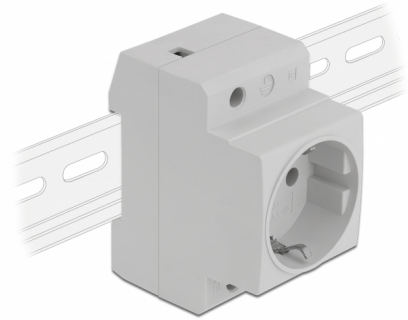


# Delock Power Socket with a Side Grounding Contact for DIN Rail 5 pieces

## Description

This power socket according to DIN VDE 0620 by Delock is designed for mounting on a 35 mm DIN rail. The socket can be used to add a CEE 7/3 power connection in a switch cabinet or similar. The bracket on the rear allows easy mounting on a 35 mm mounting rail.



**Item no. 11472**

EAN: 4043619114726

Country of origin: China

Package: Retail Box

## Technical details

- Connectors:
  - 1 x socket CEE 7/3
  - 3 x screw terminal for PE, N, L
- Robust plastic housing
- Rated current: 16 A / 250 V~
- Rated power: 4000 W
- Suitable for 35 mm DIN rail
- Dimensions (LxWxH): ca. 77 x 64 x 45 mm
- Colour: light grey

## System requirements

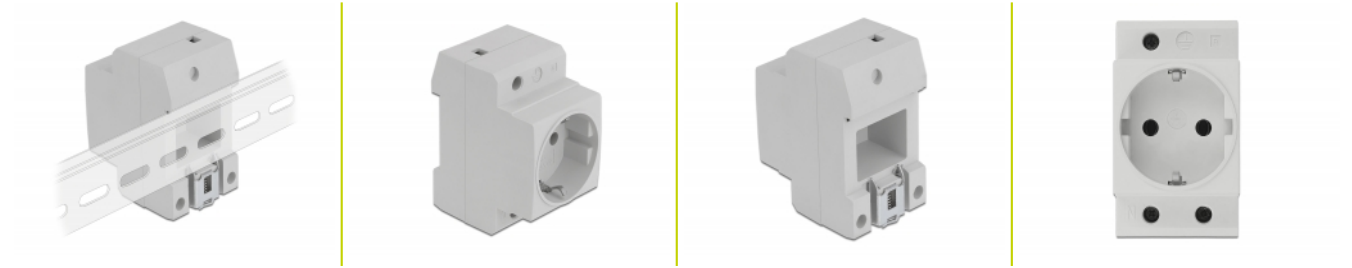
- Mains supply with grounding
- 35 mm DIN rail

## Package content

- 5 x Power socket
- User manual

---

## Images



## General

Mounting type:	DIN rail 35 mm
Protection:	Input overvoltage protection Short circuit protection

## Interface

Connector 1:	1 x 3 pin terminal block screw terminal
Connector 2:	1 x Steckdose CEE 7/3

## Physical characteristics

Length:	77 mm
Width:	64 mm
Height:	45 mm
Colour:	grey